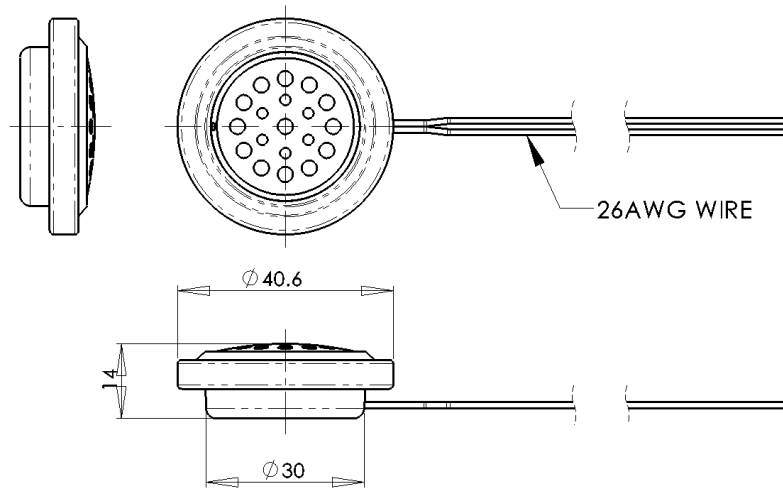


Earphone Specification

Part No.	PED 1580/300
Type:	Mylar, moving coil
Size:	Ø 40.6mm ±0.25mm
Impedance:	300Ω ±15%
Typical Output Level:	125dB SPL ±3dB @ 1KHz 1mW on IEC-318 ear
Nominal Input:	30mW
Maximum Input	100Mw
Ingress Protection	IP67

Outline:



Typical Freq Response:

