

SK10575

Pambry Marine Bridge Microphone



Conforms to the new July 2014 regulations of the International Maritime Organization IMO-MS-C-333-90 standard.

Electrical characteristics can be optimised to suit any voice data recorder.

- MSC 90/28/Add.1
- Annex 21,
- 5.5 Data items to be recorded
- 5.5.5 Bridge audio microphones should be positioned on the bridge covering all work stations as described in MSC/Circ.982 so that conversation is recorded.



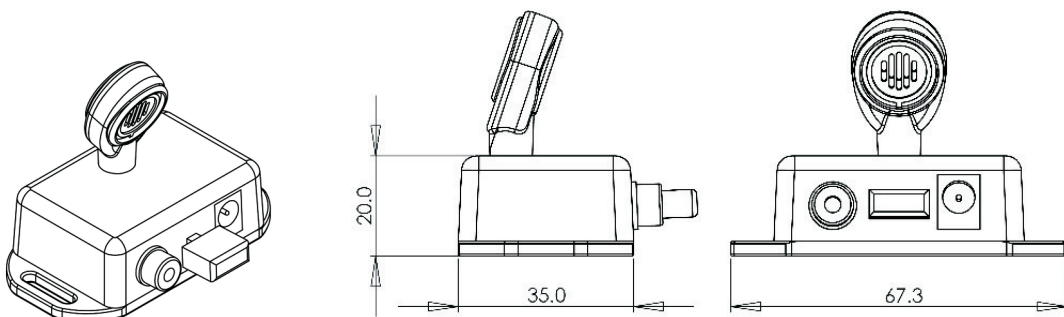
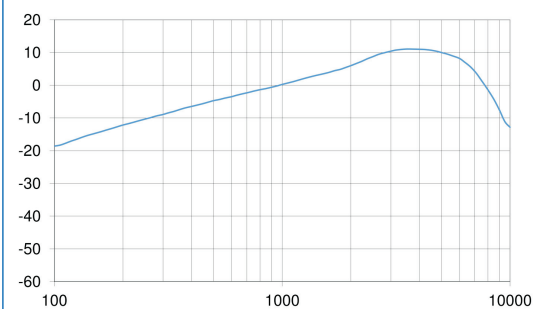
Product overview:

- Compact design to avoid aesthetic issues with surroundings
- Flanged enclosure to secure to wall or surface
- Optimised to various voice data recorders such as the BOSCH DIVAR AN 5000
- Can be optimised to any Voice Data Recorder for all applications
- Designed to record the voices of marine staff on the bridge of a sea vessel

Specification

Sensitivity @ 1kHz	-5dBV \pm 3 typical
Power supply	12V DC
Output	Mono RCA, 200 to 3000 mV
Terminals	Wire ended
High temp	49.C Operational & 71.C Storage
Low temp	-20°C Operation & -40°C Storage
Immersion	3ft 2 hours (IP67)

Typical frequency response



The Pambry SK10575 version of the marine bridge microphone has been optimised to use with the BOSCH DIVAR AN Series

Tel 01202 624910 Fax 01202 632452 Email sales@pambry.co.uk

www.pambry.co.uk

