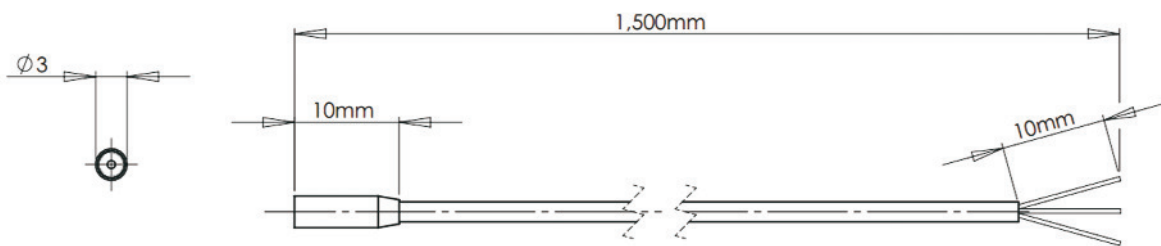
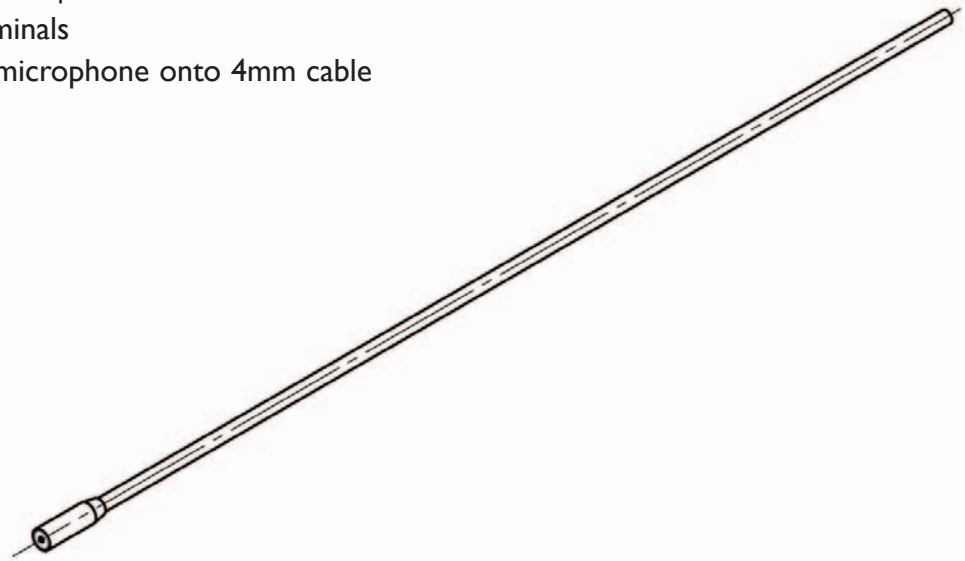


PED 0864

## Miniature Dynamic Microphone



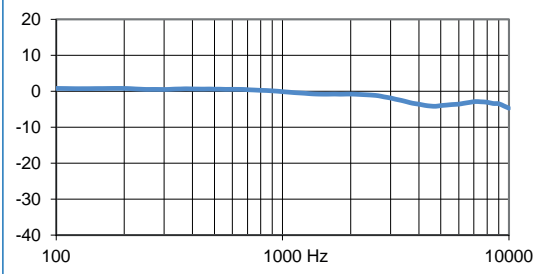
- Sensitivity: -36dBV/Pa +/-3dB (1.3V/10K)
- Mil-Std-202; 107, 201 | Mil-Std-810; 507, 514.4, 510.5
- Wire ended terminals
- $\varnothing 3\text{mm} \times 10\text{mm}$  microphone onto 4mm cable



### Specification

Sensitivity	-36dBV/Pa +/-3dB (1.3V/10K)
Freq response	100Hz to 10kHz
Distortion	<5% at +20dB
Terminals	Wire ended
Power	1.3V to 1.6V
High temp	60°C/50°C (Store/op)
Low temp	-30°C/-20°C (Store/op)

### Typical near and far field frequency response



Tel 01202 624910 Fax 01202 632452 Email [sales@pambry.co.uk](mailto:sales@pambry.co.uk)

[www.pambry.co.uk](http://www.pambry.co.uk)

