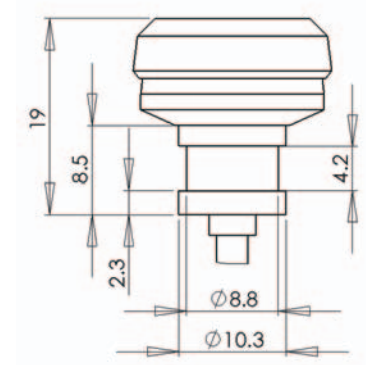
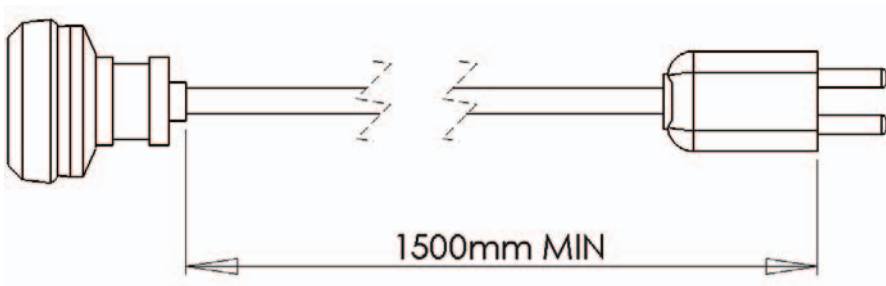




- IP65 design
- 8mm through hole fitting
- Aviation microphone equivalent to DC M-7A
- Custom designs available on request
- Mask frequency response compensation



Specification

Sensitivity	-28dBV/Pa typical at 6mm
Freq response	200Hz to 6kHz
Distortion	<5% at +20dB
Power	8-16v DC via 470Ω (not polarity sensitive)
Load impedance	150Ω
High temp	49°C Operation & 71°C Storage
Low temp	-20°C Operation & -40°C Storage
Thermal shock	Method 107 Mil-Std 202
Drop	12 drops from 6ft onto concrete
Vibration	Method 201 Mil-Std-202
Bounce	Method 514.4 Mil-Std-810

Typical near field frequency response

