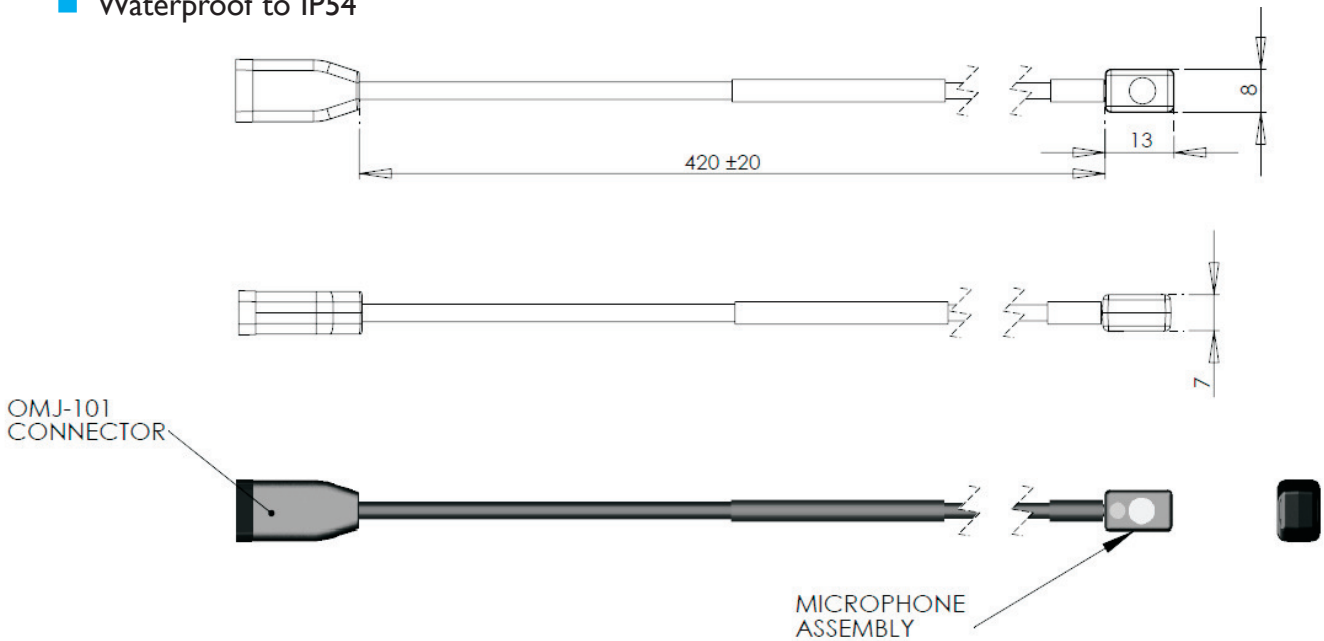


PED 0570

Sub Miniature Covert Electret Microphone



- Can be stitched in to clothing or fire proof equipment
- Wide frequency response and low distortion
- Ultra compact assembly
- Waterproof to IP54

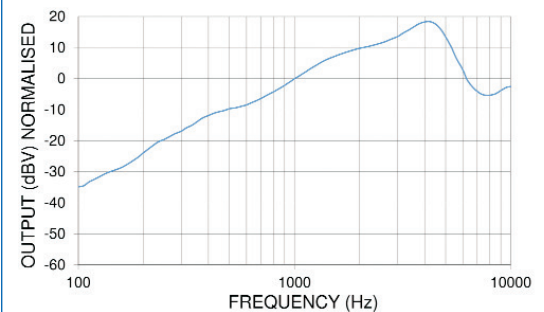


Specification

Sensitivity	-80dBV/Pa ±3 typical at 6mm
Freq response	200Hz to 10kHz
Distortion	<5% at +20dB
Terminals	OMJ-101 connector
Load impedance	300Ω

High temp	70°C/55°C (Store/op)
Low temp	-40°C/-20°C (Store/op)
Humidity	95% at 65°C
Thermal shock	Method 107 Mil-Std 202
Humidity	Method 507 Mil-Std 810
Drop	12 drops from 6ft onto concrete
Vibration	Method 201 Mil-Std-202
Bounce	Method 514.4 Mil-Std-810
Immersion	3ft for 2 hours (IP67)
Dust	Method 510.5

Typical near field frequency response



Tel 01202 624910 Fax 01202 632452 Email sales@pambry.co.uk

www.pambry.co.uk

