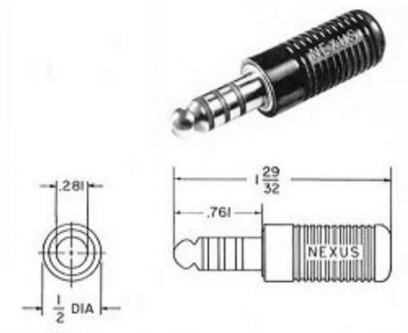
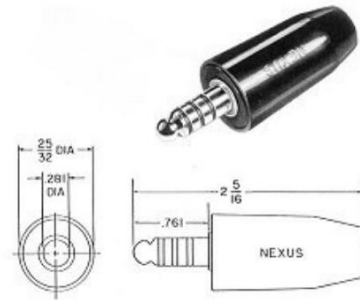


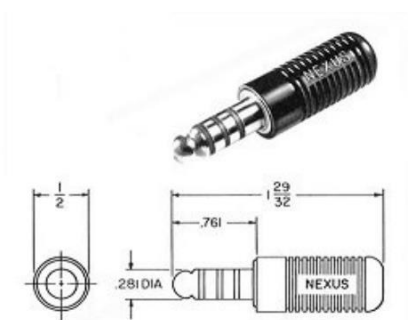
Pamby 4 and 5 conductor plug and sockets



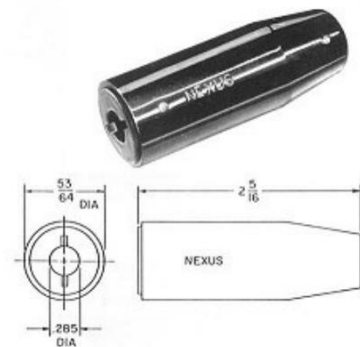
TP-120
Four Conductor Telephone Plug
 Mates with NEXUS Series TJ-120 and TJ-102 jacks and jack TJ-101. One piece nickel plated brass contacts are integrally molded into plastic body.



TP-102 (U-93A/U, M9177/1-1)
Four Conductor Telephone Plug
 Mates with NEXUS Series TJ-120 and TJ-102 jacks and jack TJ-101. Nickel plated brass contacts molded into plastic body. It accommodates larger diameter cable than the TP-101 or TP-120.



TP-101 (U-174/U, M9177/2-1)
Four Conductor Telephone Plug
 Mates with NEXUS Series TJ-120 and TJ-102 jacks and jack TJ-101. One piece monel contacts integrally molded with glass filled nylon plastic.



TJ-102 (U-92A/U, M9177/3-1)
Four Conductor Telephone Jack
 Mates with NEXUS Series TP-120 plugs and plugs TP-101, TPSJ-101 and TP-102. Nickel plated beryllium copper contacts anchored in a glass filled nylon body. Accommodates same size cable as the TP-102



TJT-102 (M9177/4-1)
Four Conductor Telephone Jack
 Mates with NEXUS Series TJ-120 plugs and TP-101 and TP-102. A panel mounted version of the TJ-102



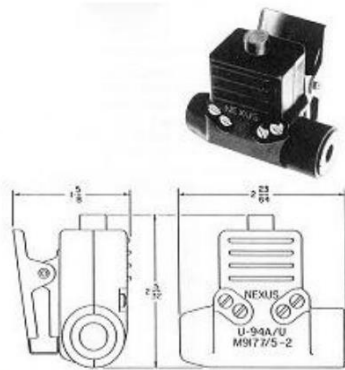
TJ-101
Four Conductor Telephone Jack
 Mates with NEXUS Series TP-120 plugs and plugs TP-101, TPSJ-101 and TP-102. Nickel plated beryllium copper contacts molded into plastic body.

Tel 01202 624910 Fax 01202 632452 Email sales@pamby.co.uk

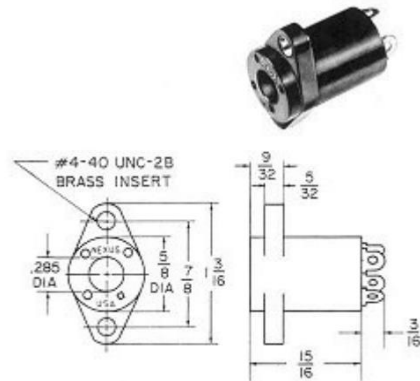
www.pamby.co.uk



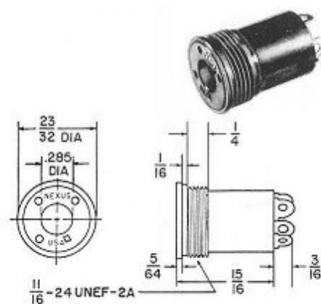
Pamby 4 and 5 conductor plug and sockets



TJS-104 (U-94A/U, M9177/ 5-1)
TJS-102 (U-94A/U, M9177/5-2)
Four Conductor Telephone Jack
 Mates with NEXUS Series TP-120 plugs and plugs TP-101 and TP-102. Combines a jack similar to TJ-102 with a momentary contact push-button switch and a clothing clip.



TJ-120
Flanged Rear-Mounted Jack
 Mates with NEXUS Series TP-120 plugs and plugs TP-101 and TP-102. Nickel-plated beryllium copper contacts are anchored in a phenolic body.



TJT-120
Threaded Front-Mounted Jack
 Mates with NEXUS Series TP-120 plugs and plugs TP-101 and TP-102. Same material and construction as the TJ-120. Jack housing is threaded for front mounting by screwing into threaded mounting hole or by inserting into front of panel and securing with nut and lockwasher from behind.

PAMBRY TP-120 AND TJT-120 OVERMOULDED CONNECTORS

Available in as plug or jack, with coiled cables or straight cables
 For full specifications, see Pamby.co.uk



Tel 01202 624910 Fax 01202 632452 Email sales@pamby.co.uk

www.pamby.co.uk

