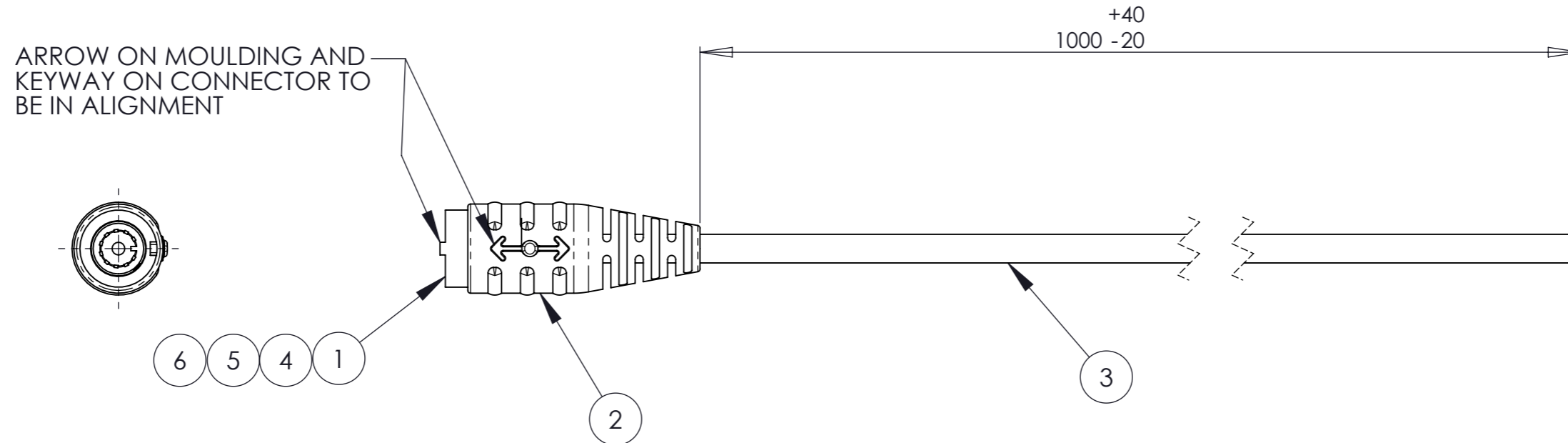


THIRD ANGLE PROJECTION



PLUG CONNECTIONS	
PIN No.	COLOUR
1	ORANGE
2	YELLOW
3	BROWN
4	GREY
5	BLACK
6	BLUE
7	GREEN
8	WHITE
9	RED
10	PINK

NOTE

FOR ASSEMBLY DETAILS AND 'BACK TO BACK' MOULDING INFORMATION SEE DRAWING SK10138

			FOR EXPLANATION OF NOTES, DIMENSIONS ETC SEE BS 8888	MATERIAL SEE ITEM LIST	TOLERANCES ANGULAR ± 1° WHOLE NUMBERS ± 1.0 ONE PLACE DECIMALS ± 0.25 TWO PLACE DECIMALS ± 0.10 UNLESS OTHERWISE STATED	TITLE. U 0 5 2 3 CABLE ASSEMBLY (AJ1100M TO 1m STRAIGHT)
			DRAWN BY JOHN WEBB			DIMENSIONS IN mm
			CHECKED BY PAUL ZIMMERMANN	FINISH CLEAN	SCALE 1:1	PAMBRY ELECTRONICS LTD, PAMBRY HOUSE, UNITS 7 & 8, VENTURA PLACE, UPTON IND. ESTATE, POOLE, DORSET BH16 5SW
1	12.02.09	CN10187				
ISS.	DATE	MODIFICATION				