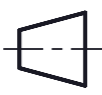
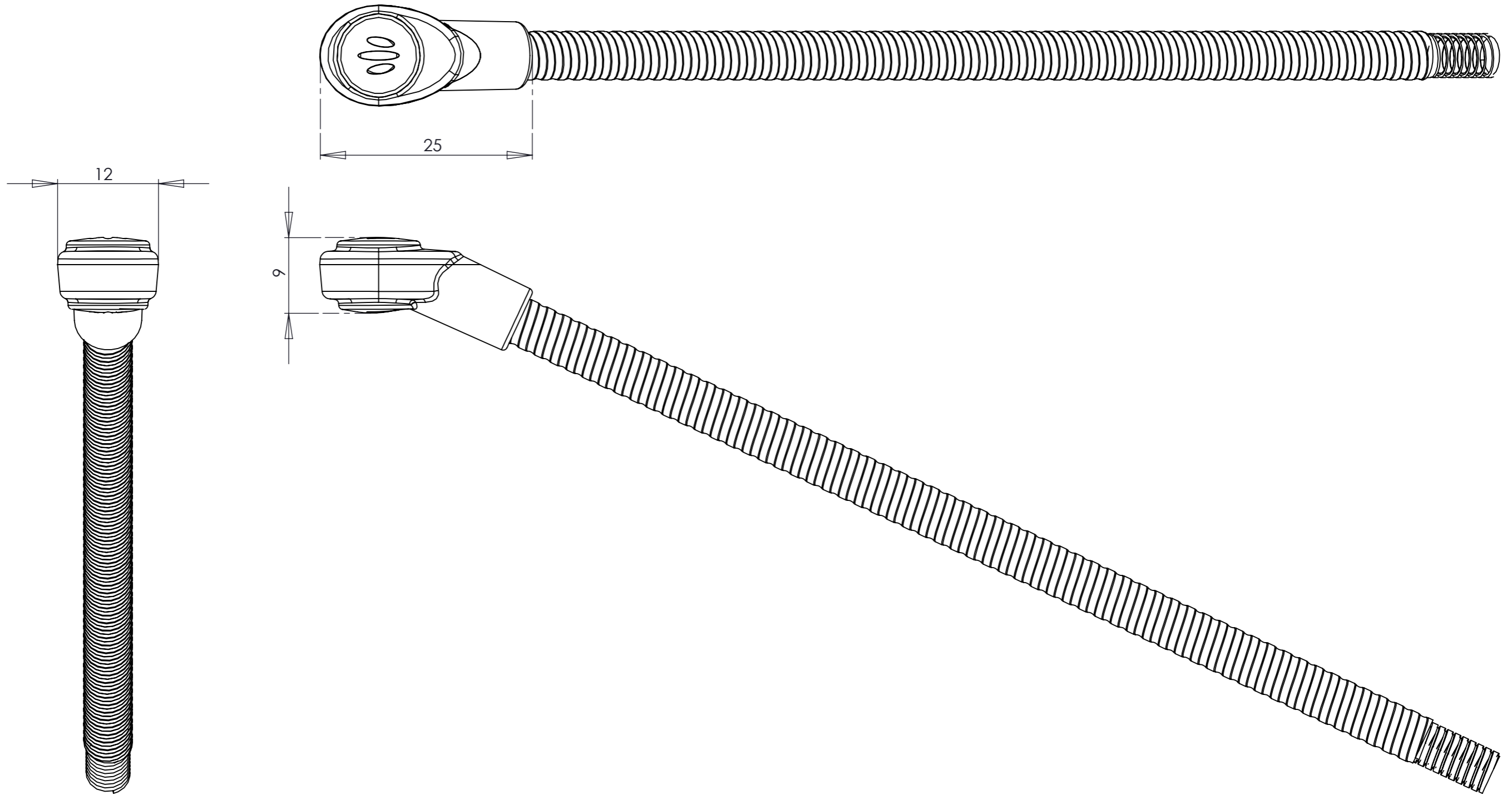


THIS DRAWING IS THE PROPERTY OF PAMBRY ELECTRONICS LTD
 IT MUST NOT BE COPIED OR PASSED TO ANY THIRD PARTY WITHOUT
 PRIOR PERMISSION AND MUST BE RETURNED ON REQUEST TOGETHER
 WITH ANY COPIES MADE TO PAMBRY ELECTRONICS LTD



THIRD ANGLE PROJECTION



			FOR EXPLANATION OF NOTES, DIMENSIONS ETC SEE BS 8888	MATERIAL	TOLERANCES ANGULAR $\pm 1^\circ$ WHOLE NUMBERS ± 1.0 ONE PLACE DECIMALS ± 0.25 TWO PLACE DECIMALS ± 0.10 UNLESS OTHERWISE STATED	TITLE. U 0 5 2 3 MFP Microphone Dimensions
			DRAWN BY RBrooks	FINISH	DIMENSIONS IN mm	DRAWING No. MFP
			CHECKED BY		SCALE 5:1	
ISS.	DATE	MODIFICATION			PAMBRY ELECTRONICS LTD, PAMBRY HOUSE, UNITS 7 & 8, VENTURA PLACE, UPTON IND. ESTATE, POOLE, DORSET BH16 5SW	
						A3