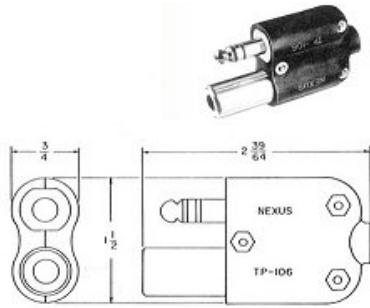
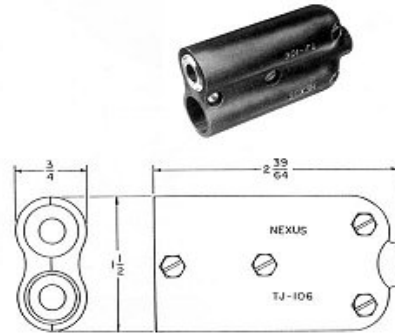




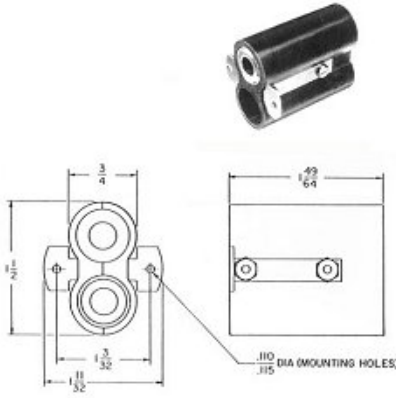
## Six, Eight & Ten Conductor Plugs & Sockets



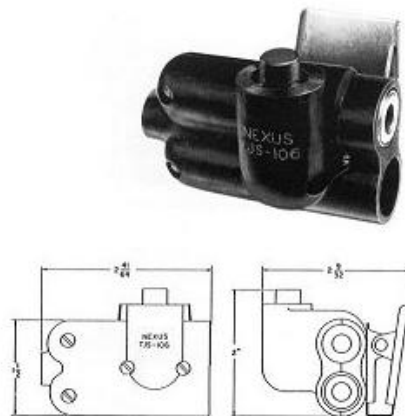
**TP-106**  
**Telephone Plug Biaxial Shielded**  
**Six Conductor**  
Mates with NEXUS Series TJ-106 jacks.  
TP-108  
Telephone Plug; biaxial shielded,  
eight conductor.  
TP-110  
Telephone Plug; biaxial shielded,  
ten conductor.



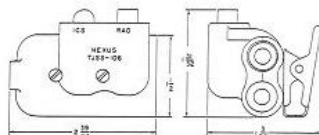
**TJ-106 Telephone Jack Biaxial Shielded**  
**Six Conductor**  
Mates with NEXUS TP-106 plug TJ-108  
Telephone Jack, Biaxial shielded,  
eight conductor.  
TJ-110  
Telephone Jack, Biaxial shielded,  
ten conductor.



**TJ-106 PM**  
**Telephone Jack Biaxial Shielded**  
**Six Conductor Panel Mount**  
Mates with NEXUS TP-106 plug  
TJ-108 PM Telephone Jack, Biaxial shielded,  
eight conductor, panel mount.



**TJS-106**  
**Telephone Jack Switch, Biaxial Shielded**  
Mates with TP-106 plug.  
TJS-108  
Telephone jack Switch, Biaxial shielded, eight  
conductor.



**TJSS-106 Telephone Jack Two Switches,**  
**Biaxial Shielded**  
Mates with NEXUS TP-106 plug.  
TJSS-108  
Telephone Jack, two switches, biaxial  
shielded, eight conductor.

## Six, Eight & Ten Conductor Plugs & Sockets

### Contact Pambry Electronics at

Pambry Electronics Limited  
Pambry House  
Units 7 & 8 Ventura Centre  
Ventura Place, Upton Industrial Estate  
Upton, Poole, Dorset BH16 5SW  
United Kingdom

#### By telephone

+44 (0)1202 624910

#### By fax

+44 (0)1202 632452