

Nexus 4 conductor plugs and sockets

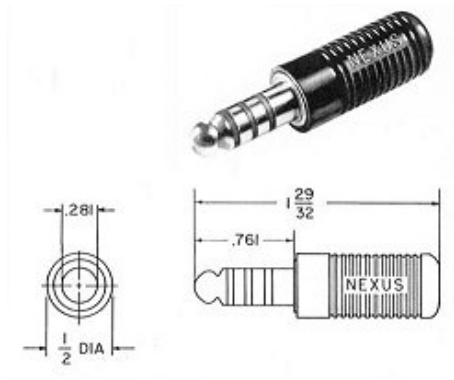
NEXUS

**Audio Frequency
Plugs & Jacks**

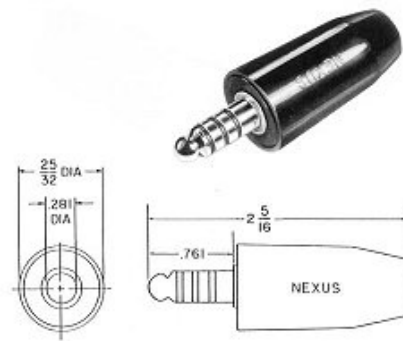
**Push-Button
Switches**

Consistent Product Reliability

Nexus 4 conductor plugs and sockets



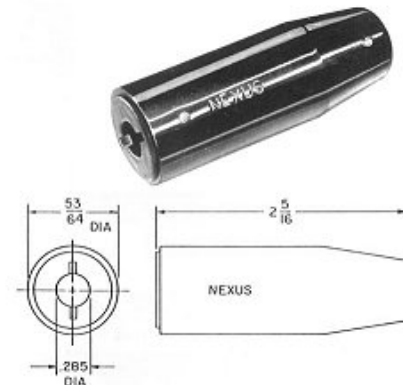
TP-120
Four Conductor Telephone Plug
Mates with NEXUS Series TJ-120 and TJ-102 jacks and jack TJ-101. One piece nickel plated brass contacts are integrally molded into plastic body.



TP-102 (U-93A/U, M9177/1-1)
Four Conductor Telephone Plug
Mates with NEXUS Series TJ-120 and TJ-102 jacks and jack TJ-101. Nickel plated brass contacts molded into plastic body. It accommodates larger diameter cable than the TP-101 or TP-120.



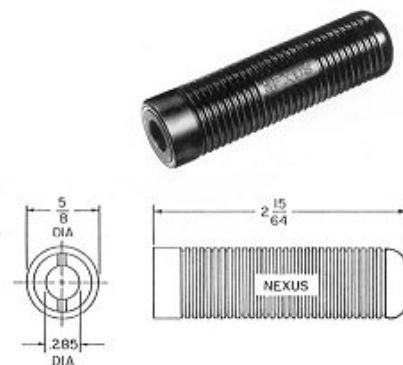
TP-101 (U-174/U, M9177/2-1)
Four Conductor Telephone Plug
Mates with NEXUS Series TJ-120 and TJ-102 jacks and jack TJ-101. One piece monel contacts integrally molded with glass filled nylon plastic.



TJ-102 (U-92A/U, M9177/3-1)
Four Conductor Telephone Jack
Mates with NEXUS Series TP-120 plugs and plugs TP-101, TPSJ-101 and TP-102. Nickel plated beryllium copper contacts anchored in a glass filled nylon body. Accommodates same size cable as the TP-102.

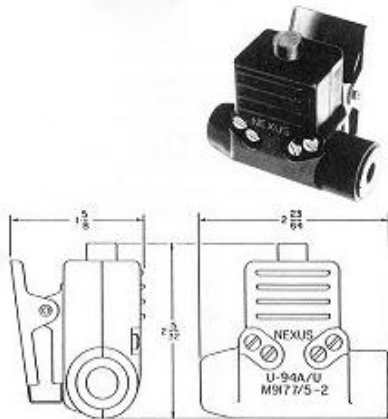


TJT-102 (M9177/4-1)
Four Conductor Telephone Jack
Mates with NEXUS Series TJ-120 plugs and TP-101 and TP-102. A panel mounted version of the TJ-102.



TJ-101
Four Conductor Telephone Jack
Mates with NEXUS Series TP-120 plugs and plugs TP-101, TPSJ-101 and TP-102. Nickel plated beryllium copper contacts molded into plastic body.

Nexus 4 conductor plugs and sockets

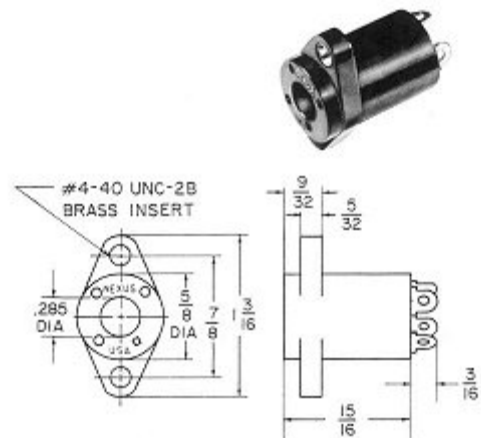


TJS-104 (U-94A/U, M9177/ 5-1)

TJS-102 (U-94A/U, M9177/5-2)

Four Conductor Telephone Jack

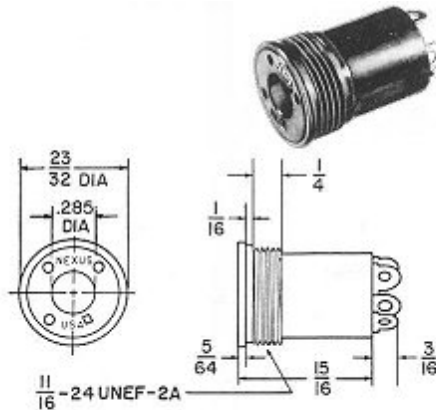
Mates with NEXUS Series TP-120 plugs and plugs TP-101 and TP-102. Combines a jack similar to TJ-102 with a momentary contact push-button switch and a clothing clip.



TJ-120

Flanged Rear-Mounted Jack

Mates with NEXUS Series TP-120 plugs and plugs TP-101 and TP-102. Nickel-plated beryllium copper contacts are anchored in a phenolic body.



TJT-120

Threaded Front-Mounted Jack

Mates with NEXUS Series TP-120 plugs and plugs TP-101 and TP-102. Same material and construction as the TJ-120. Jack housing is threaded for front mounting by screwing into threaded mounting hole or by inserting into front of panel and securing with nut and lockwasher from behind.

Contact Pambry Electronics at

Pambry Electronics Limited
Pambry House
Units 7 & 8 Ventura Centre
Ventura Place, Upton Industrial Estate
Upton, Poole, Dorset BH16 5SW
United Kingdom

By telephone

+44 (0)1202 624910

By fax

+44 (0)1202 632452