

Microphone Accessories

Windsock


The addition of a windsock to a microphone can improve the intelligibility of speech. Not only do they remove wind noise from the environment they also reduce the pops and hisses from speech which microphones can pick up when used close to the mouth.

Part No	Microphone	Desc
CIWS-E-1	Electret	windscreen
CIWS-E	Electret	with O-ring
CIWS-E-1W	Electret	water resistant
CIWS-EW	Electret	with O-ring
CIWS-EN	Electret	high noise and wind
CIWS-87-1	Dynamic	M-87 Type
CIWS-87	Dynamic	with O-ring
CIWS-101-1	Dynamic	M-101 Type
CIWS-101	Dynamic	with O-ring



Boom Mounts

Part No	Desc
CIMT-2339-4	
CIMT-FM	Flex Boom
CIMT-6706	quick release
CIMT-2339-C	with chrome knob



Microphone Accessories

Boom Pivot

- Part No: PED 0237
- 360° or 270° movement
- IP65 sealing
- Rugged Construction With Stainless Steel
M8 Pivot



Pivot In headphone Application

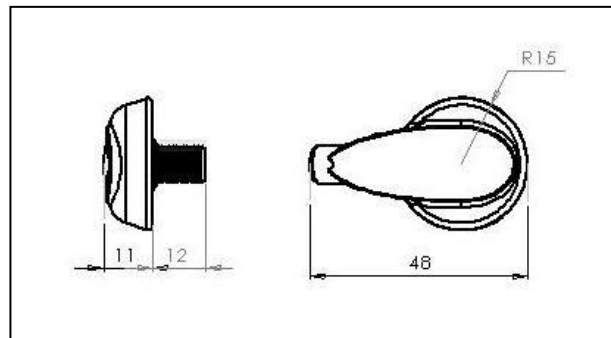
Characteristics

Type: Dynamic, moving coil
Dimensions: 11mm Depth
30mm Diameter
46mm Length
Boom: 5mm OD

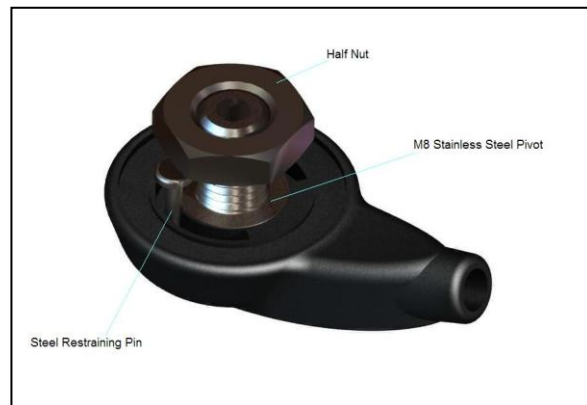
Environmental

In accordance with Mil-Std-810G

High Temp: Method 501.5 Storage/Operation
(+71degC/+49degC)
Low Temp: Method 502.5 Storage/Operation
(-40degC/-20degC)
Humidity: Method 507.5 < 95%
Dust: Method 510.5
Salt Fog: Method 509.5
Shock Drop: Method 516.6 (12 drops to 2m)
Rain: Method 506.5
Fungus: Method 508.6



Pivot Dimensions




Full Assembly Details

Microphone Accessories


Flexible Boom & Wire Frame Booms

Hinged wire booms

Part No	Finish	Length	Screw
CIBMA-1854	Nickel	170mm	Nylock
CIBMA-2991-1	Black	195mm	Nylock
CIBMA-3281	Nickel	170mm	Thumb
CIBMA-2267-1	Nickel	234mm	Nylock



Part No	Finish	Length	Screw
CIBMA-2690-1	Black	170mm	Nylock
CIBMA-2690-2	Black	170mm	Thumb
CIBMA-4021-1	Black	195mm	Nylock
CIBMA-4021-2	Black	195mm	Thumb
CIBMA-4021-3	Nickel	195mm	Nylock
CIBMA-4021-4	Nickel	195mm	Thumb
CIBMA-4021-5	Black	224mm	Thumb
CIBMA-4021	Nickel	170mm	Thumb



Flexible Booms

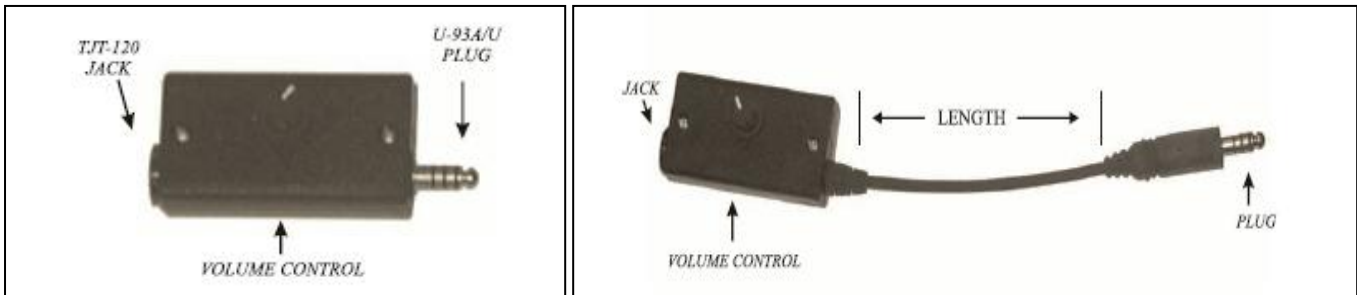
During our long history of microphone design and development Pambry Electronics have sourced and tested a large number of flexible microphone booms. Our experience with these products allows us to offer a range offer booms from the most reliable designed for extreme environments to low cost booms for commercial applications.



Microphone Accessories

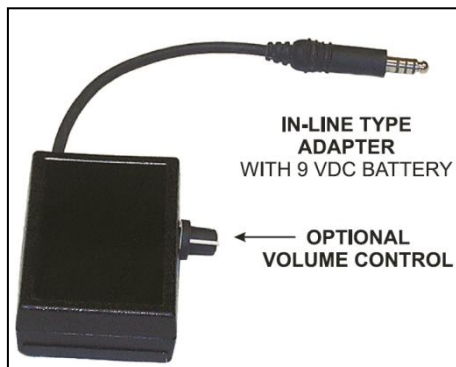
Inline Volume Controls

Available for a range of applications with potentiometer options from 100-2000 Ohms, clothing clips, coiled and straight cables.

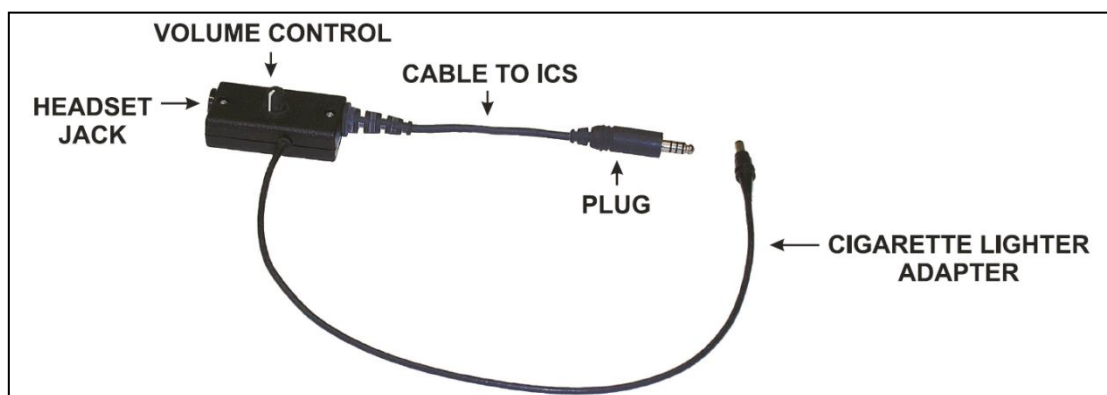


High to Low impedance adaptors

Battery Powered

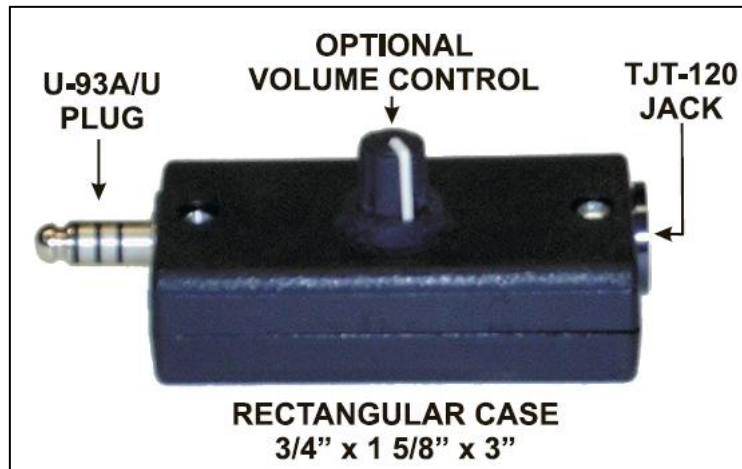


Aircraft Powered



Microphone Accessories

Low to High impedance adaptors



Contact Pambry Electronics at

Pambry Electronics Limited
Pambry House
Units 7 & 8 Ventura Centre
Ventura Place, Upton Industrial Estate
Upton, Poole, Dorset BH16 5SW
United Kingdom

By telephone

+44 (0)1202 624910

By fax

+44 (0)1202 632452