

Cable Accessories

Strain Relief

Part No	Connector	Cable OD
CISR6P-195	PTO6A10-6P or	.195"
CISR6P-241	MS3476W10-6P	.241"
CISR10P-195	MS3476W12-10P or	.195"
CISR10P-241	MS3476L12-10P	.241"
CISRX-180	CIX100 Case	.180"
CISRX-195		.195"
CISRX-241		.241"



Part No	Cable OD
CISR94-180	<4.6mm
CISR94-195	4.6-5.0mm
CISR94-241	5.0-6.2mm



Part No	Cable OD
CISRH-180	<4.6mm
CISRH-195	4.6-5.0mm
CISRH-241	5.0-6.2mm




CISB-6P Polyurethane for cable OD <6.6mm

CIG-0238 Rubber for cable OD <6.6mm

CISR-72
Weather resistant strain relief for U-172/U or U-179AU



Cable Accessories

Boom Pivot

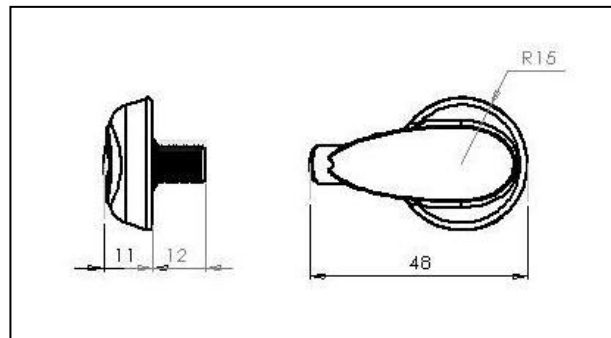
- Part No: PED 0237
- 360° or 270° movement
- IP65 sealing
- Rugged Construction With Stainless Steel
M8 Pivot



Pivot In headphone Application

Characteristics

Type: Dynamic, moving coil
 Dimensions: 11mm Depth
 30mm Diameter
 46mm Length
 Boom: 5mm OD

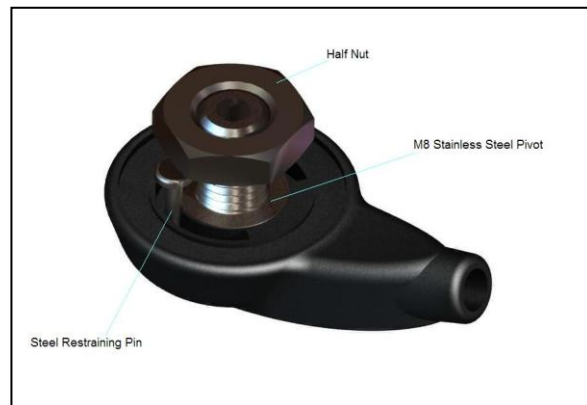


Pivot Dimensions

Environmental

In accordance with Mil-Std-810G

High Temp: Method 501.5 Storage/Operation
 (+71degC/+49degC)
 Low Temp: Method 502.5 Storage/Operation
 (-40degC/-20degC)
 Humidity: Method 507.5 < 95%
 Dust: Method 510.5
 Salt Fog: Method 509.5
 Shock Drop: Method 516.6 (12 drops to 2m)
 Rain: Method 506.5
 Fungus: Method 508.6

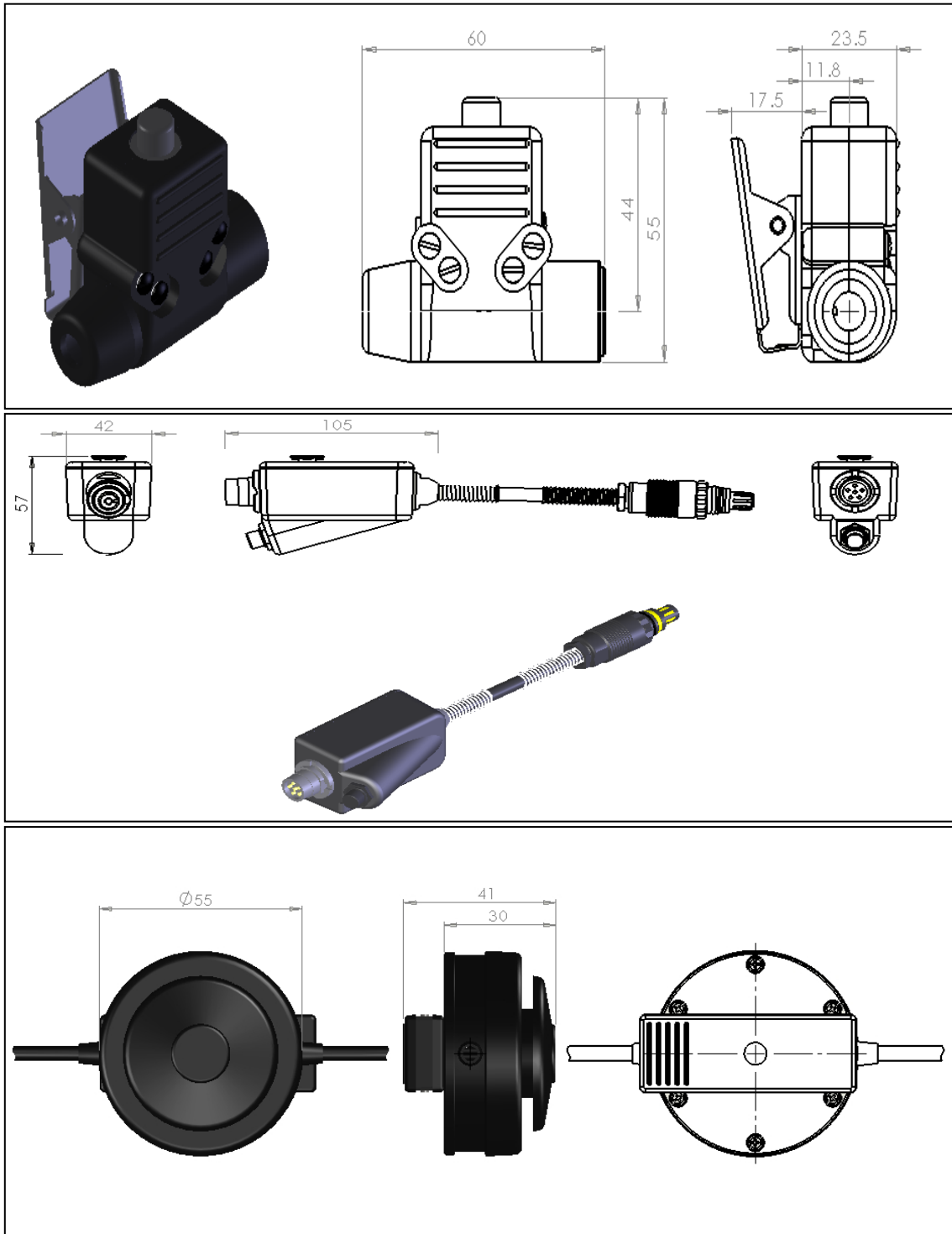


Full Assembly Details

Cable Accessories

PTT & Switch Boxes

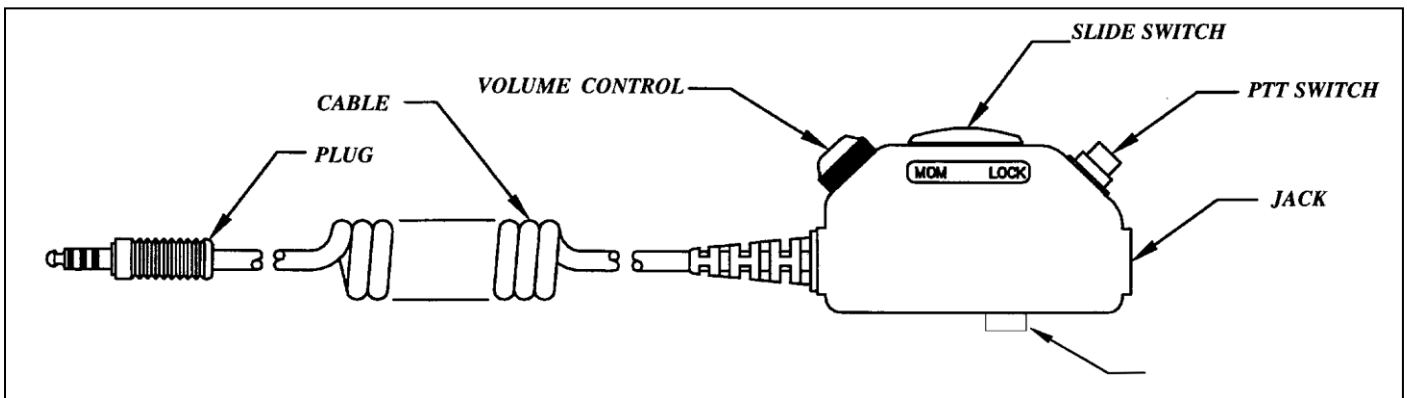
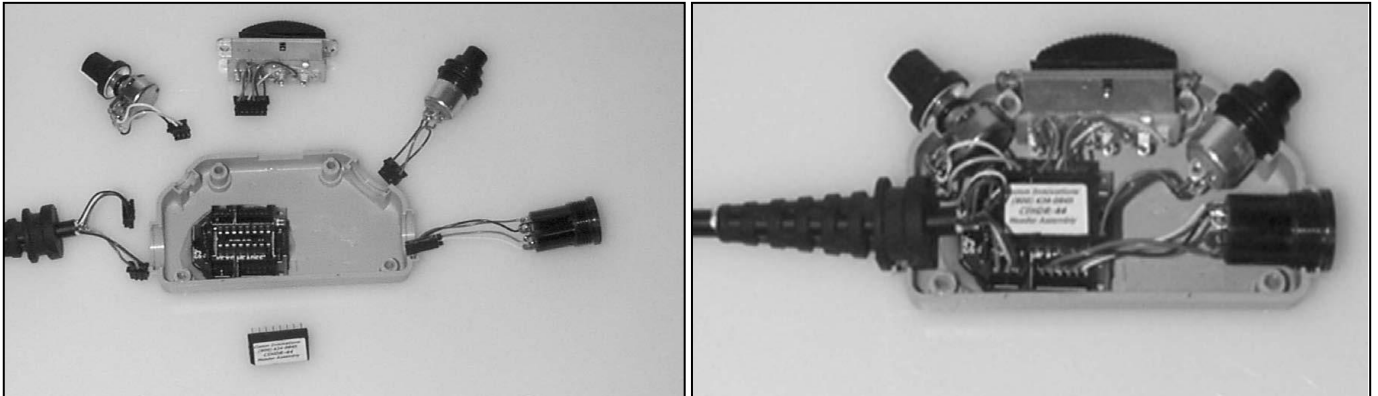
Pambry can supply a range of switch boxes from stock assembled with various stock switches, wires and connectors. We can also design and manufacture a unit to your specific requirements. The following pictures of Pambry products illustrate our capabilities.



Cable Accessories

CIX Series PTT

CIX 200,300 & 400 series switch and cable assemblies (shown below) can be assembled, repaired or reconfigured for other purposes without a solder gun. The interconnect module is fixed to the rear half of the switch case. All the key components Cable, Jack, Volume Control, Slide Switch & PTT switch plug into the interconnect module. Finally the distribution header which provides the needed switch and connection functions plugs into the interconnect module to complete the assembly



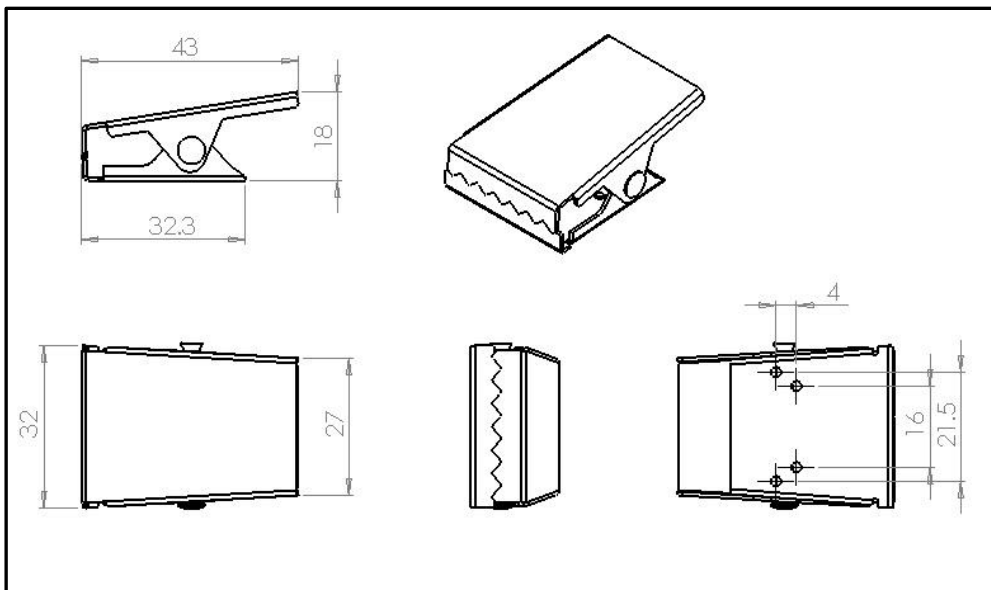
Cable Accessories

Wireless PTT

Technical Specifications	
Wireless PTT Transmitting	
Dimension	32.0*25.0*15.0mm
PTT Life	100,000times
Storage Temperature	-20°C-70°C
Wireless PTT Receiving	
Dimension	55.0*27.5mm
Operating Voltage	3.3V-9V
Working Current	<15mA
Storage Temperature	-20°C-70°C
Speaker	
Dimension	23mm
Impedance	32 Ohm±15% at 1000Hz
Rated Input Power	50mw
Maximum Output Power	100mw
Sound Pressure Level	120±3dB
Microphone	
Type	Electret Accelerometer
Impedance	<2.2k Ohm
Sensitivity	-40±3dB at 1000Hz (0dB=1V/Pa)
Operating Voltage	1.0-10V DC



Cable/Box/PTT Clip



Available in Chrome or Black, with rubber jaw option.

Cable Accessories

Contact Pambry Electronics at

Pambry Electronics Limited
Pambry House
Units 7 & 8 Ventura Centre
Ventura Place, Upton Industrial Estate
Upton, Poole, Dorset BH16 5SW
United Kingdom

By telephone

+44 (0)1202 624910

By fax

+44 (0)1202 632452