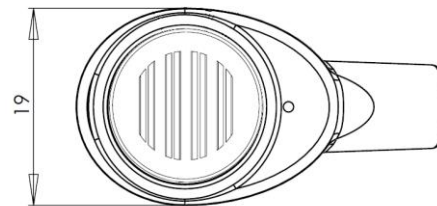
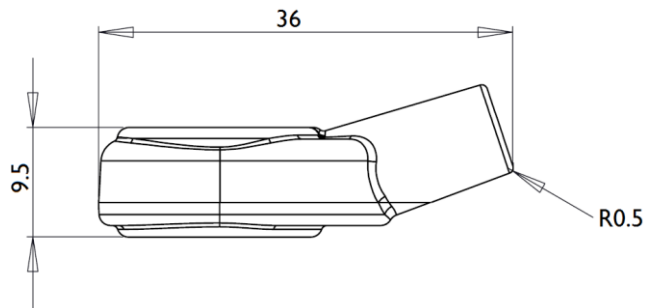
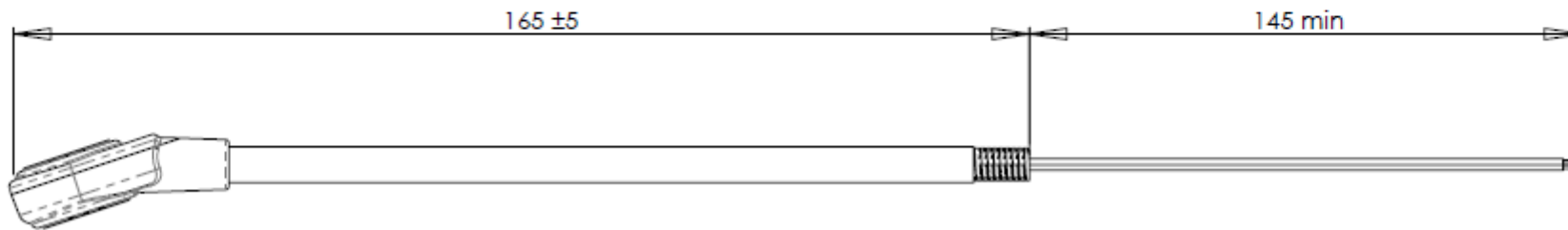


# QPL Microphone construction



DIMENSIONS IN mm

Tel 01202 624910 Fax 01202 632452 Email [sales@pambry.co.uk](mailto:sales@pambry.co.uk)

[www.pambry.co.uk](http://www.pambry.co.uk)

