

# Pambry NEXUS breakaway style connectors



## NEXUS have designed "breakaway style" audio connectors for headset applications

Designed for Ruggedized Commercial or Military applications.

### SEVEN CONDUCTOR WATERTIGHT BREAKAWAY PLUG – AP-107

Field replaceable, designed to meet severe environmental conditions

Aluminium Shell Material. Black Anodize (standard), Black Chrome (shielded) Plating Material.

Gold-plated BeCu Contact Material.

Engagement Force:  $\leq 14$  lb

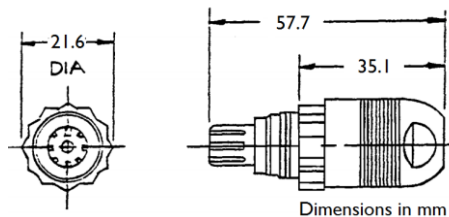
Disengagement Force: 8 to 12 lb

Mating Cycles: 5000

Temperature: -55 to 85 °C

Contact Current Capacity: 3 A

Contact Resistance:  $\leq 150$  mV



Mates with NEXUS AJ-107, AJ-107BR, and AJ-107BRS jacks

### SEVEN CONDUCTOR WATERTIGHT BREAKAWAY SOCKET – AJ-107

Field replaceable, designed to meet severe environmental conditions

Aluminium Shell Material. Black Anodize (standard), Black Chrome (shielded) Plating Material.

Gold-plated BeCu Contact Material.

Engagement Force:  $\leq 14$  lb

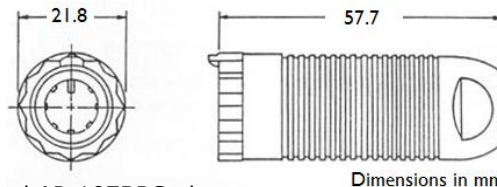
Disengagement Force: 8 to 12 lb

Mating Cycles: 5000

Temperature: -55 to 85 °C

Contact Current Capacity: 3 A

Contact Resistance:  $\leq 150$  mV



Mates with NEXUS AP-107, AP-107BR, and AP-107BRS plugs

### SEVEN CONDUCTOR WATERTIGHT BREAKAWAY PLUG WITH STRAIN RELIEF – AP-107BR

Field replaceable, designed to meet severe environmental conditions

Aluminium Shell Material. Black Anodize (standard), Black Chrome (shielded) Plating Material.

Gold-plated BeCu Contact Material.

Engagement Force:  $\leq 14$  lb

Disengagement Force: 8 to 12 lb

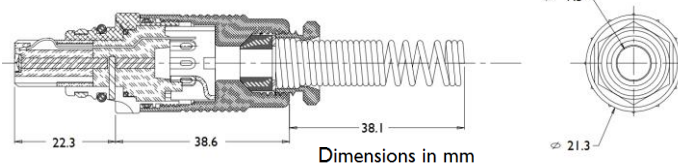
Mating Cycles: 5000

Temperature: -55 to 85 °C

Contact Current Capacity: 3 A

Contact Resistance:  $\leq 150$  mV

Mates with NEXUS AJ-107, AJ-107BR, and AJ-107BRS jacks



Tel 01202 624910 Fax 01202 632452 Email [sales@pambry.co.uk](mailto:sales@pambry.co.uk)

[www.pambry.co.uk](http://www.pambry.co.uk)





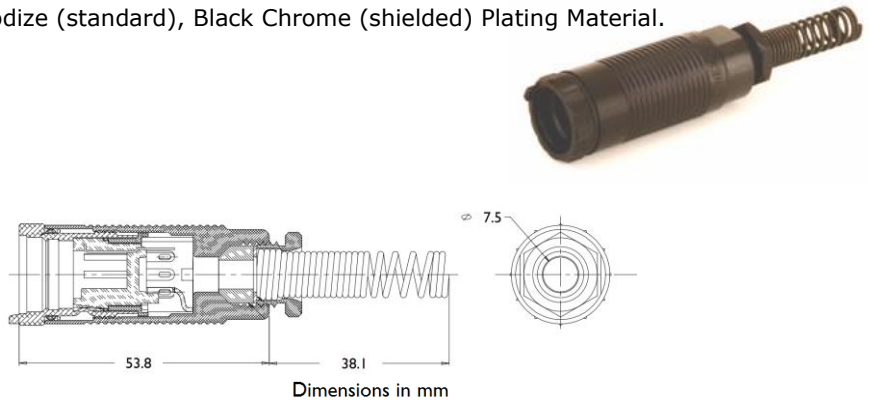
## SEVEN CONDUCTOR WATERTIGHT BREAKAWAY SOCKET WITH STRAIN RELIEF – AJ-107BR

Field replaceable, designed to meet severe environmental conditions

Aluminium Shell Material. Black Anodize (standard), Black Chrome (shielded) Plating Material.  
Gold-plated BeCu Contact Material.

- Engagement Force:  $\leq 14$  lb
- Disengagement Force: 8 to 12 lb
- Mating Cycles: 5000
- Temperature: -55 to 85 °C
- Contact Current Capacity: 3 A
- Contact Resistance:  $\leq 150$  mV

Mates with NEXUS AP-107, AP-107BR, and AP-107BRS plugs



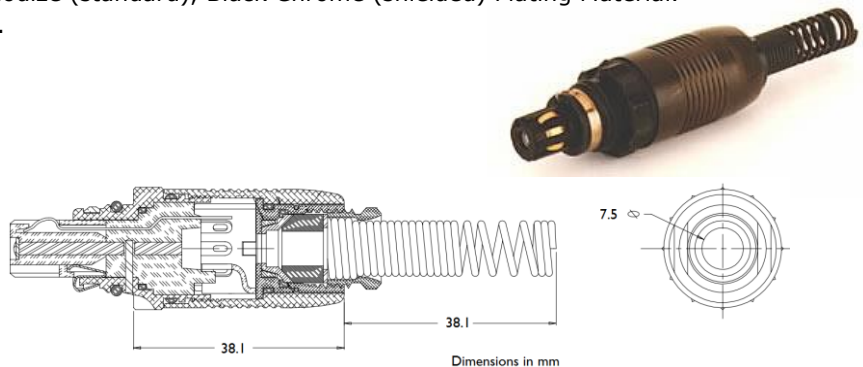
## SEVEN CONDUCTOR WATERTIGHT SHIELDED BREAKAWAY PLUG WITH STRAIN RELIEF – AP-107BRS

Field replaceable, designed to meet severe environmental conditions

Aluminium Shell Material. Black Anodize (standard), Black Chrome (shielded) Plating Material.  
Gold-plated BeCu Contact Material.

- Engagement Force:  $\leq 14$  lb
- Disengagement Force: 8 to 12 lb
- Mating Cycles: 5000
- Temperature: -55 to 85 °C
- Contact Current Capacity: 3 A
- Contact Resistance:  $\leq 150$  mV

Mates with NEXUS AJ-107, AJ-107BR, and AJ-107BRS jacks



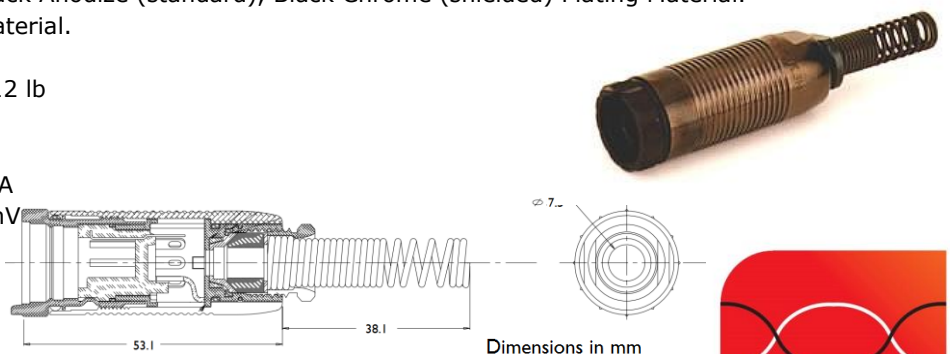
## SEVEN CONDUCTOR WATERTIGHT SHIELDED BREAKAWAY SOCKET WITH STRAIN RELIEF – AJ-107BRS

Field replaceable, designed to meet severe environmental conditions

Aluminium Shell Material. Black Anodize (standard), Black Chrome (shielded) Plating Material.  
Gold-plated BeCu Contact Material.

- Engagement Force:  $\leq 14$  lb
- Disengagement Force: 8 to 12 lb
- Mating Cycles: 5000
- Temperature: -55 to 85 °C
- Contact Current Capacity: 3 A
- Contact Resistance:  $\leq 150$  mV

Mates with NEXUS AP-107, AP-107BR, and AP-107BRS plugs



**Tel 01202 624910 Fax 01202 632452 Email sales@pambry.co.uk**